

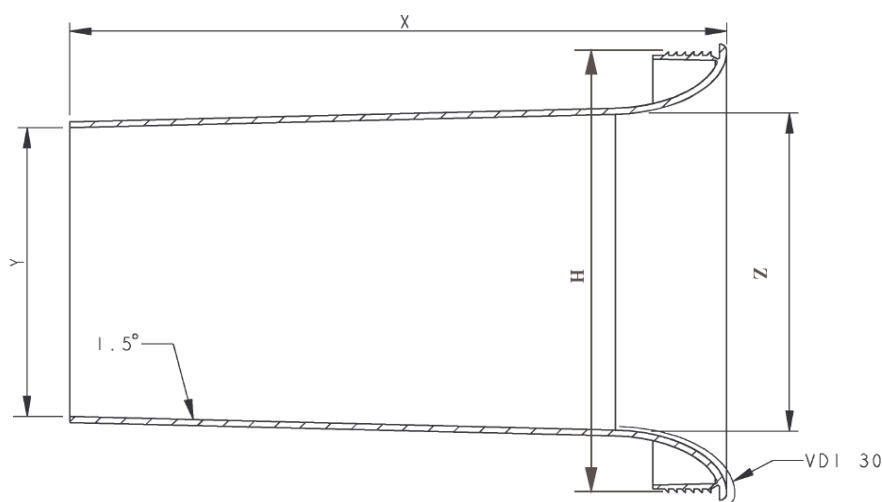
Port Tubes

16-09-2013

HP Port Tubes



Material: Polypropylene
Standard Colour: Black
Standard Painted Colour: Silver Metallic



	X	Y	Z	H - min	H - Max	Weight:
--	---	---	---	---------	---------	---------

HP ϕ 35 - Index: 051-0008	165	26,33	35	49,05	49,35	26 g
HP ϕ 35 - Index: 051-0006	120	31,95	35	49,05	49,35	19 g
HP ϕ 35 - Index: 051-0004	68	29,05	35	49,05	49,35	12 g
HP ϕ 42,7 - Index: 051-0010	123,4	37	42,7	57,1	57,5	22 g
HP ϕ 50 - Index: 051-0012	143	43,25	50	69,1	69,5	36 g
HP ϕ 68 - Index: 051-0018	220	57,35	68	97,25	97,75	69 g
HP ϕ 68 - Index: 051-0016	160	60,57	68	97,25	97,75	59 g
HP ϕ 68 - Index: 051-0014	116,6	62,95	68	97,25	97,75	47 g
HP ϕ 100 - Index: 051-0022	197	90,69	100	138,5	139,1	126 g
HP ϕ 100 - Index: 051-0020	142	93,55	100	138,5	139,1	101 g

Port Tubes



Port Tube ϕ 25 x 102

Material: Polystyrene
Standard Colour: Black
Weight: 15 g /pc
Index: 051-0002

HM Port Tube



HM ϕ 50 x 185

Material: Polystyrene
Standard Colour: Black
Weight: 39 g /pc
Index: 051-0013

90° angle pipe for 3-part port tubes

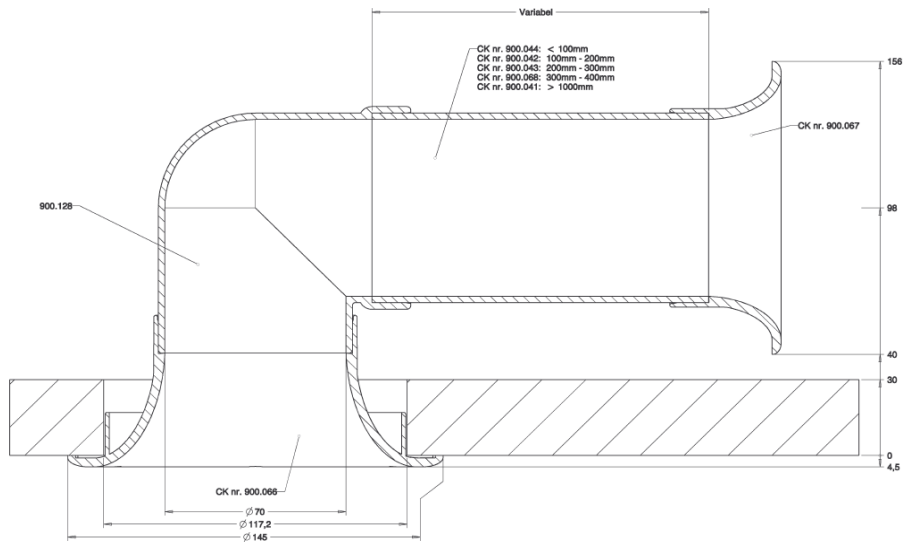


Standard diameter: ϕ 70 cm
Material: Polystyrene
Standard Colour: Black
Index: 051-0024

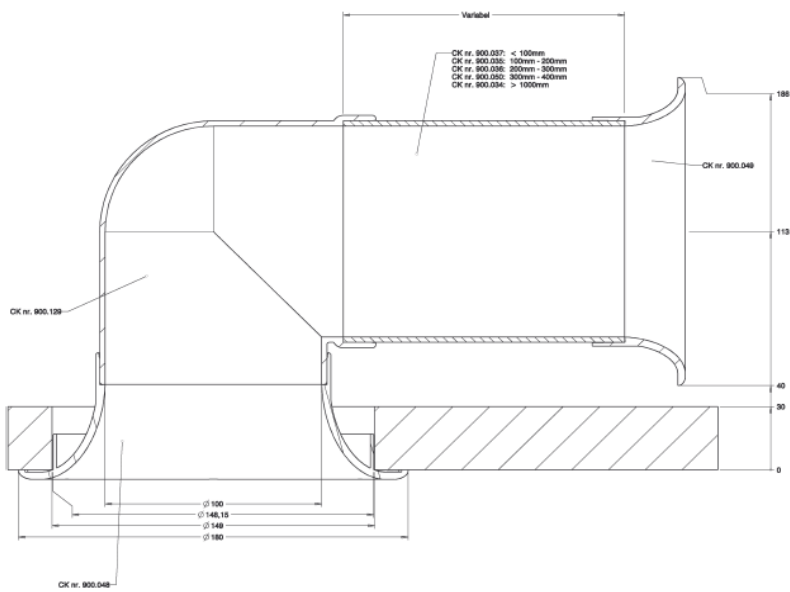


Standard diameter: ϕ 100 cm
Material: Polystyrene
Standard Colour: Black
Index: 051-0026

Ø70



Ø100



Index:	Description / Size (mm)	Weight / pc
051-0028	3" (70mm) Inside Flare	48 g
051-0030	3" (70mm) Outside Flare	87 g
051-0032	4" (100mm) Inside Flare	57 g
051-0034	4" (100mm) Outside Flare	115 g
051-0035	3" x 9.25" (70 / 235mm) Straight Tube	124 g
051-0036	3" x 15.75" (70 / 400mm) Straight Tube	178 g
051-0037	4" x 14.96" (100 / 380mm) Straight Tube	275 g
051-0038	4" x 15.75" (100 / 400mm) Straight Tube	300 g
051-0050	Bass-reflex - set 90° ø70 (051-00030 + 051-0026 + 051-0028 + 051-0036)	382 g
051-0051	Bass-reflex - set 90° ø100 (051-0034 + 051-0026 + 051-0032 + 051-0037)	570 g